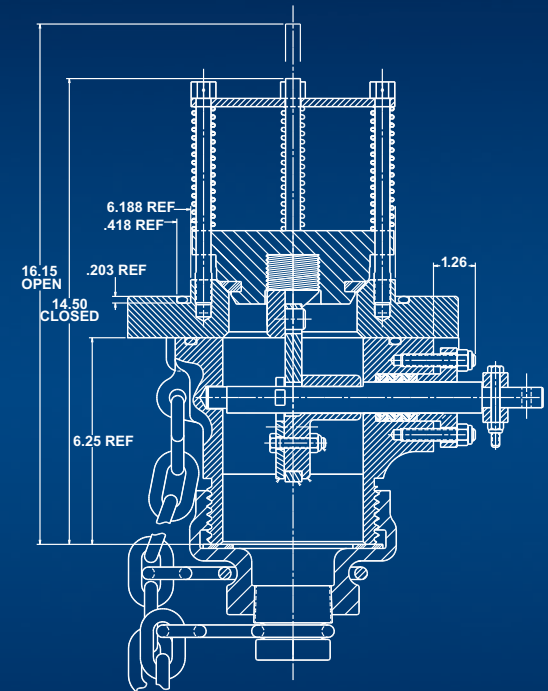
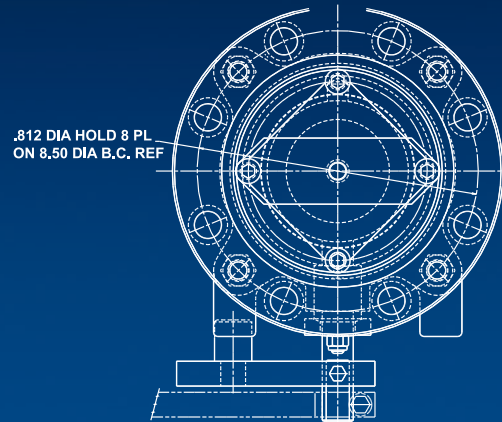


ARI MODEL 1585

BOTTOM OPERATED PLUG VALVE



STANDARD FEATURES:

- Carbon Steel with Stainless Steel Trim
- Proven Seal Technology
- 180° Turn Operation
- Fits Industry Standard Mounting Arrangement
- Over 50 Years of Proven Valve Design and Manufacturing
- Ideally Suited for Alcohol, Vegetable Oil and Tight Crude Oil
- Manufactured at an M-1003, Class F Certified Facility
- AAR approval # E 931003

ALTERNATES:

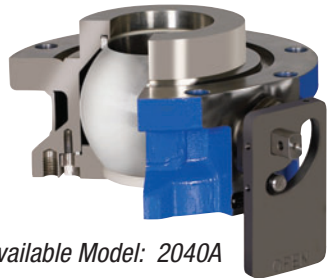
- All Stainless Steel Available
- Integral Quick Connect Outlet Connection



www.americanrailcarparts.com

**American Railcar Industries, Inc. offers the highest quality fittings.
Helping to protect the environment, your people and processes.**

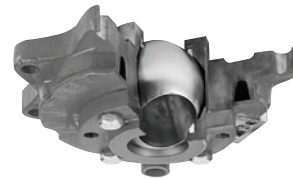
BOTTOM OUTLET VALVES



Available Model: 2040A



Available Models: 1585, 1585A



Available Model: 2020

SAFETY VALVES



Available Models: 1108, 1108HP



Available Model: 1128



Available Model: 1148

VACUUM RELIEF VALVE



Available Models: 1626, 1626A, 1626F

OTHER VALVES AND MATERIALS AVAILABLE:

- Check Valves
- Caps and Chains
- Cover Plates
- Flanges/Sumps
- Fittings

**ARI Parts now
available online!**

Visit

www.americanrailcarparts.com

to view our products and
place your order!



SPECIAL PRODUCTS GROUP
AMERICAN RAILCAR INDUSTRIES, INC.

100 Clark Street, St. Charles, Missouri 63301
(636) 940-6020 • FAX: (636) 940-6100

email: specialproducts@americanrailcar.com

www.americanrailcar.com / www.americanrailcarparts.com

AGILE ♦ RESPONSIVE ♦ INNOVATIVE